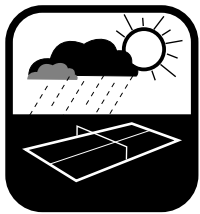
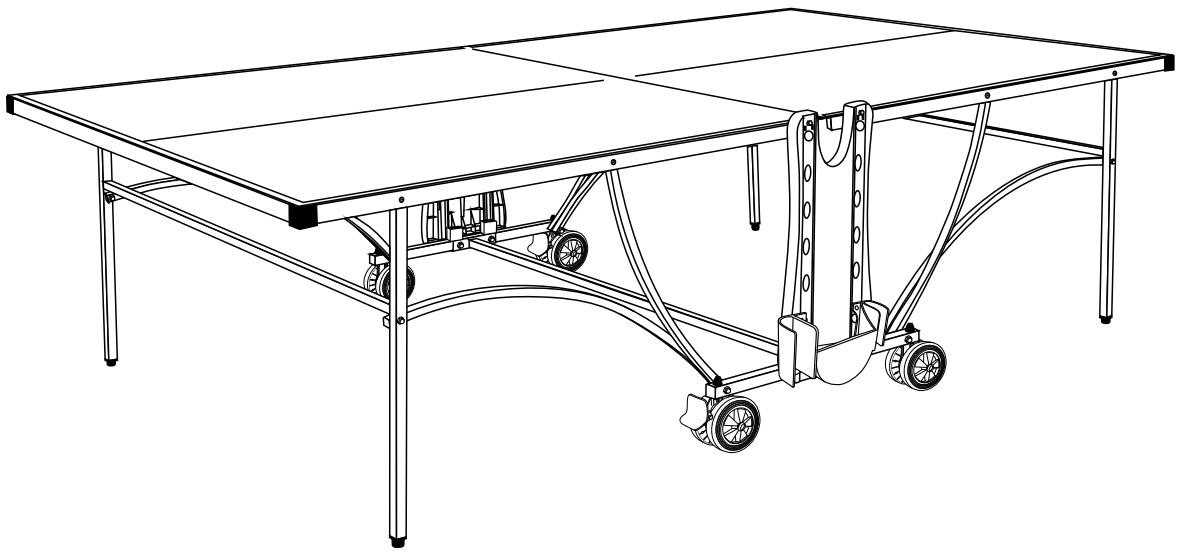


ASSEMBLE INSTRUCTION



OUTDOOR

! Before starting to assemble the tt-table and before using it for the first time please read the assembly instructions and the information for the user very carefully. They contain important advices for safety when using the table. Please keep the instructions for your information, for maintenance and for ordering spare parts as long as you use the tt-table.

- ★ At least **two adults** have to participate in the assembly of the tt-table which should be carried out on a clean and soft floor.
- ★ Before commencing the assembly ,check all the parts according to the Parts List and make sure that are all present and correct.
- ★ Please follow the ABC references for the order of the assembly.
- ★ If these is a **text mark** ,please read the explanation on page 9 .
- ★ If these in a **part mark**,please read the information relating to it in the Parts List on page 10.
- ★ Please use the tools as indicated for each of the assembly stages.



— Text mark

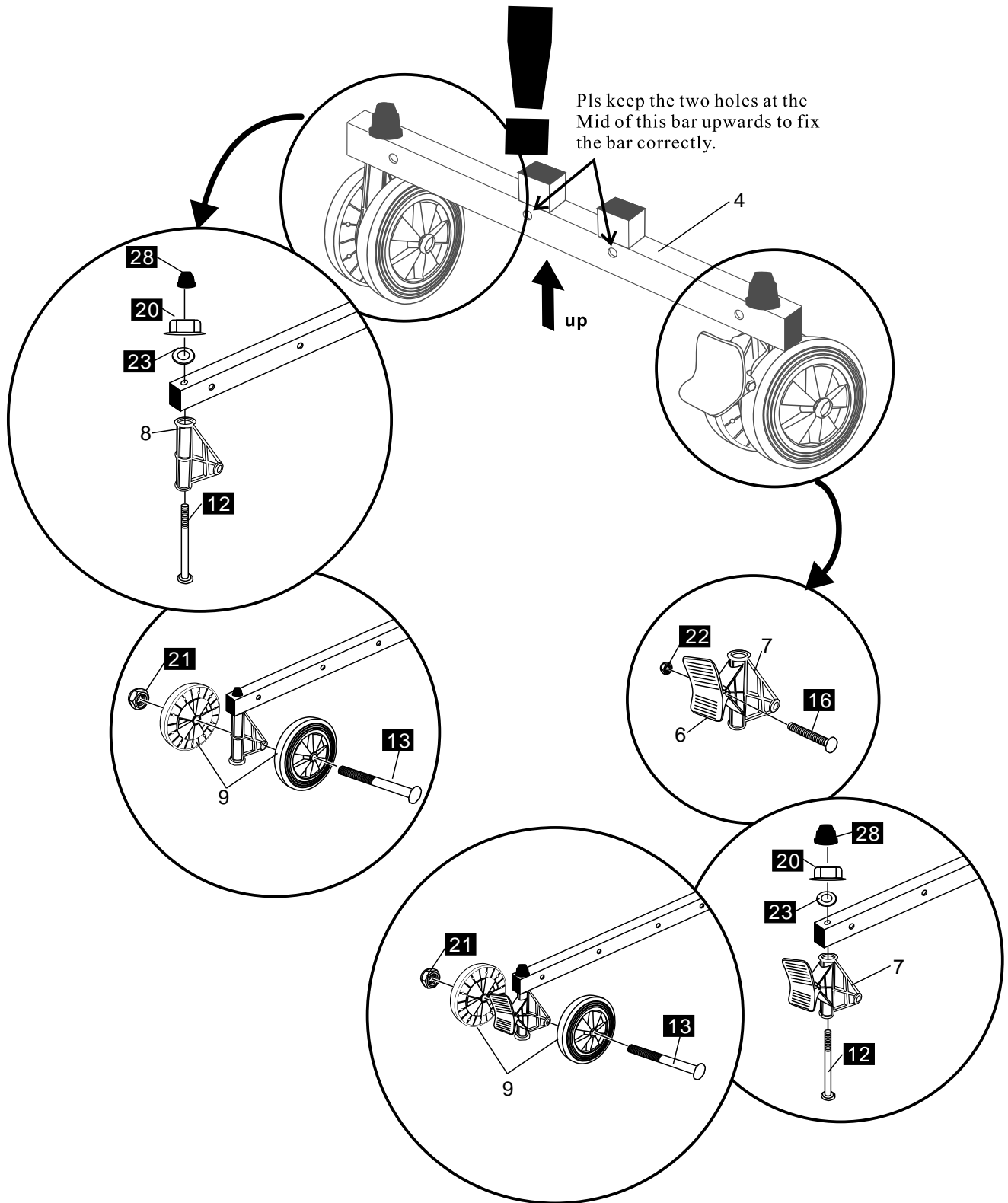
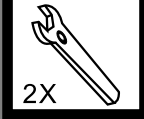


— Part mark

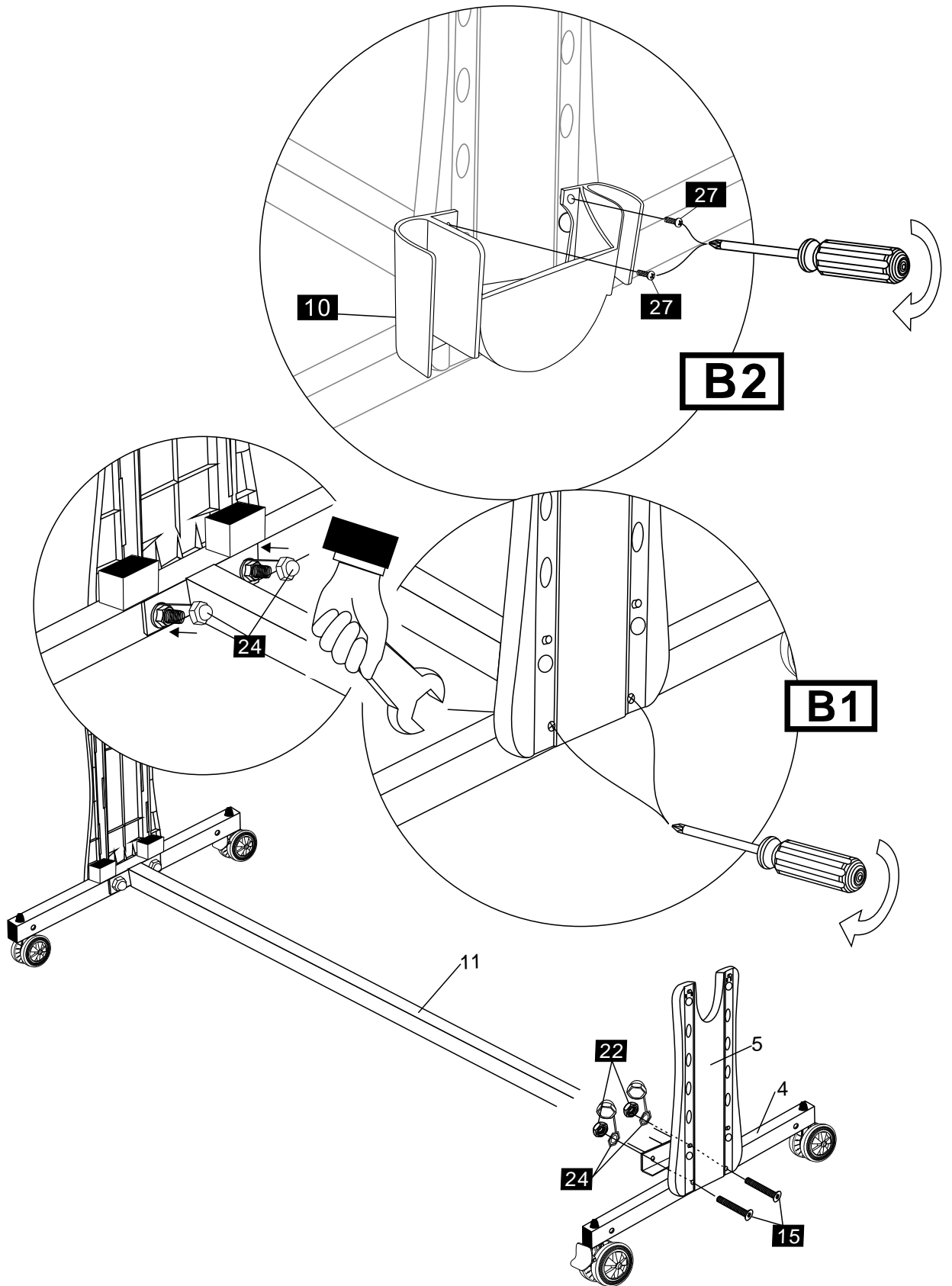
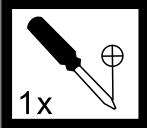
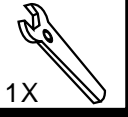


— Tool

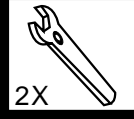
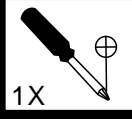
A



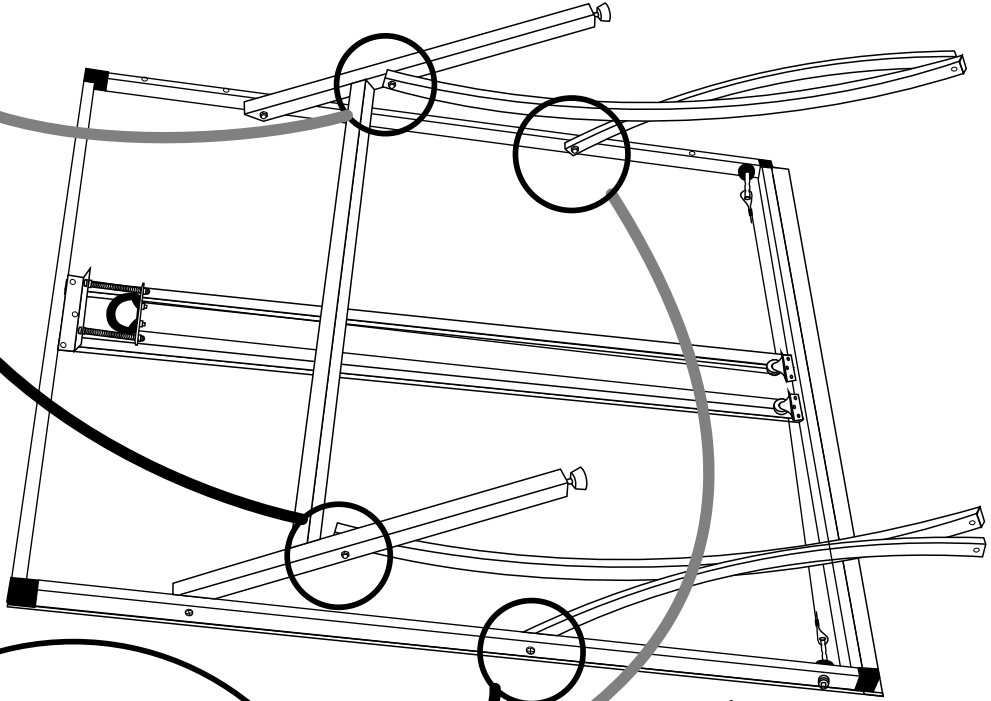
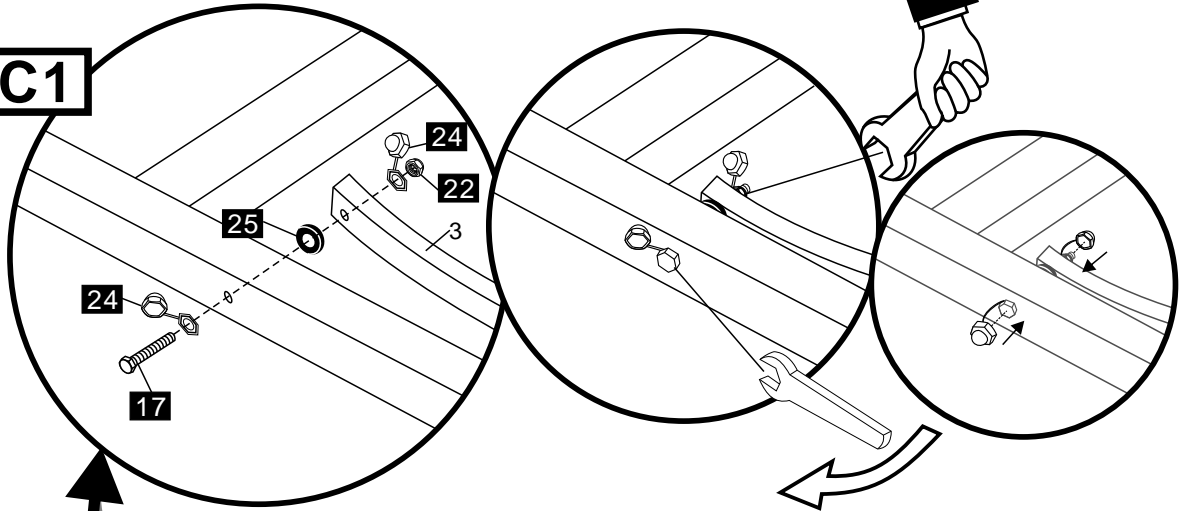
B



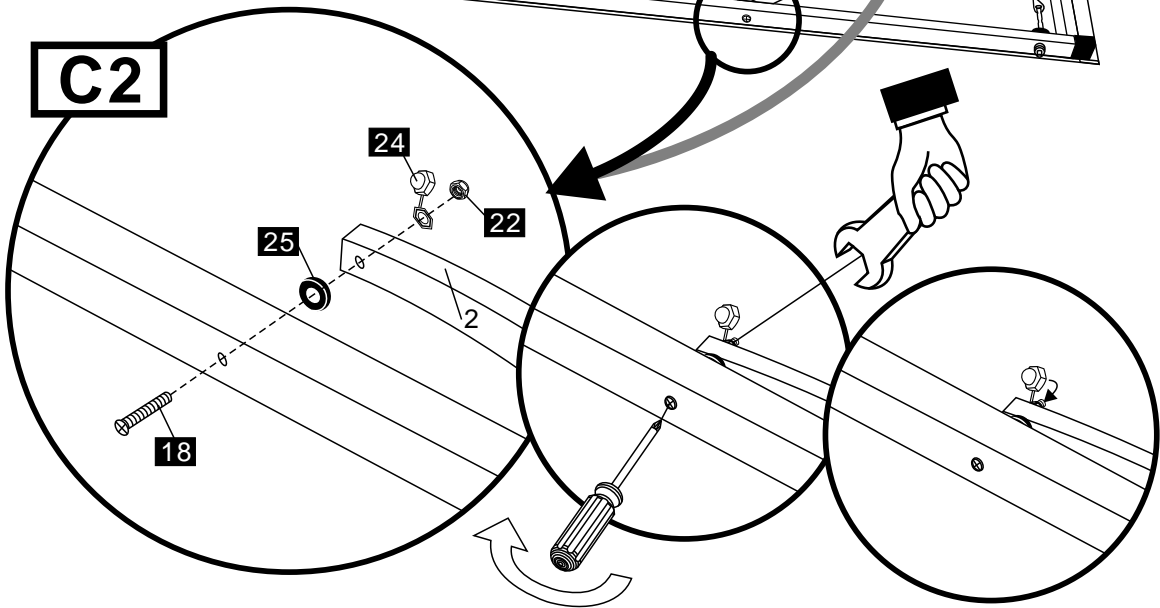
C

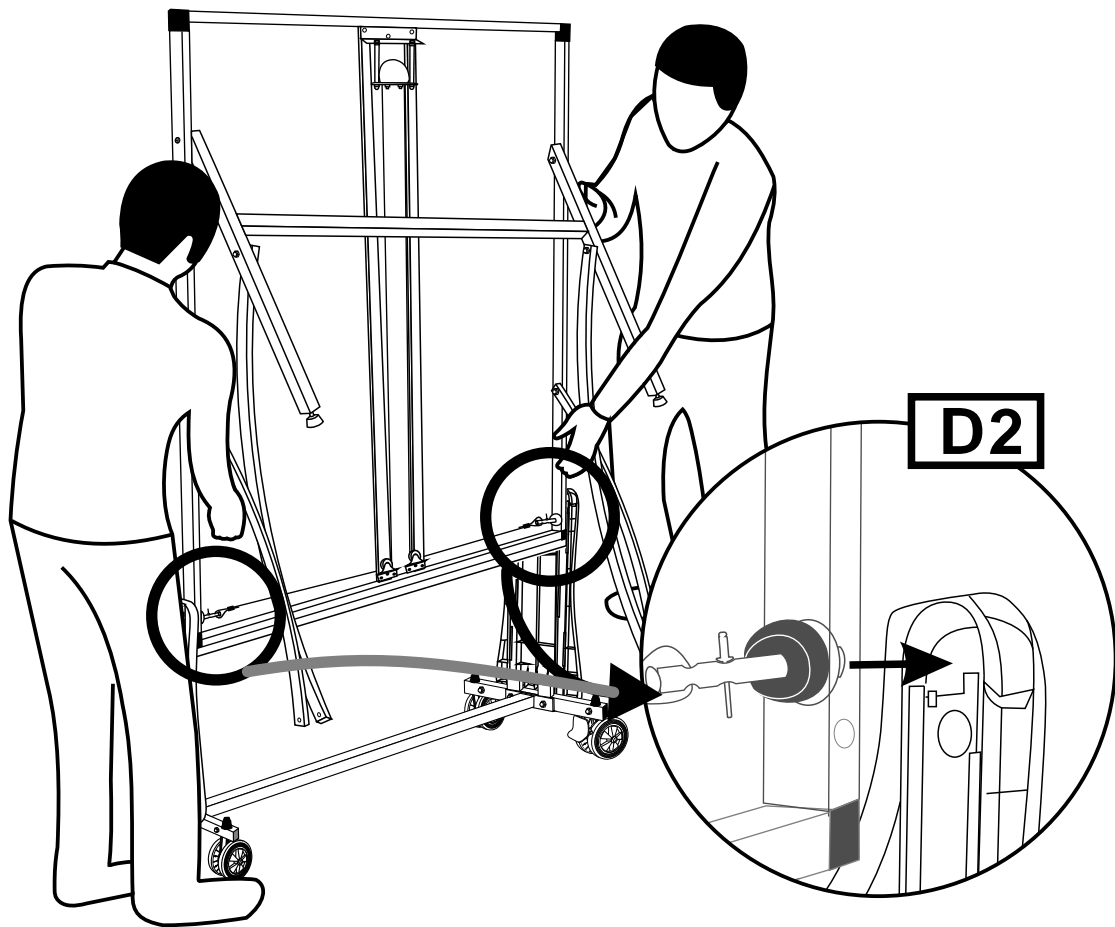
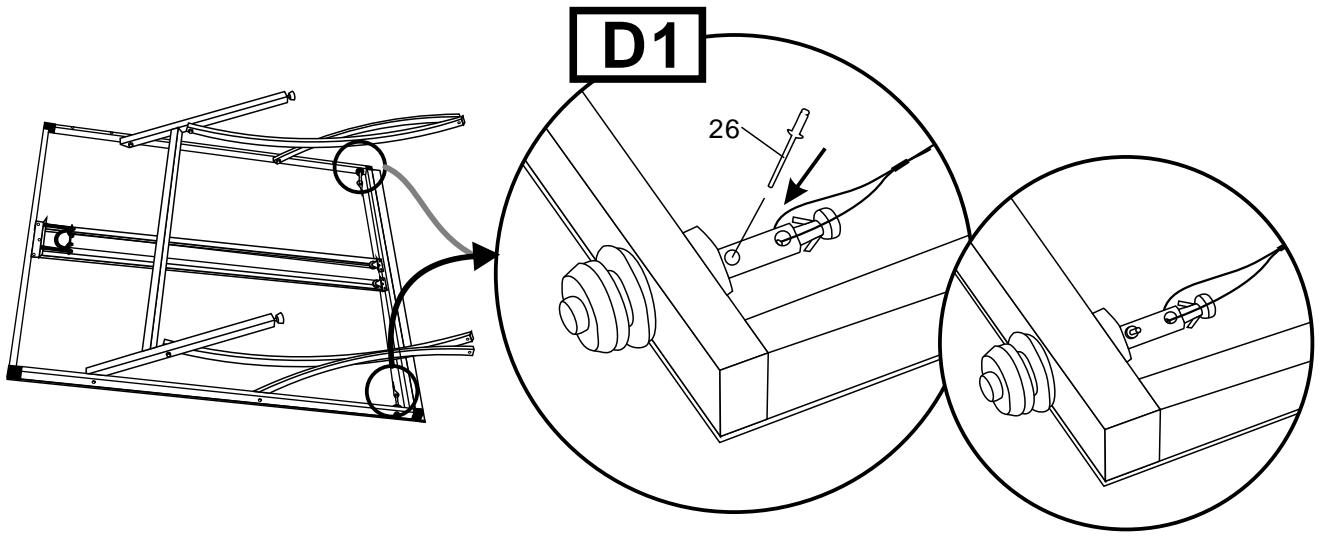


C1

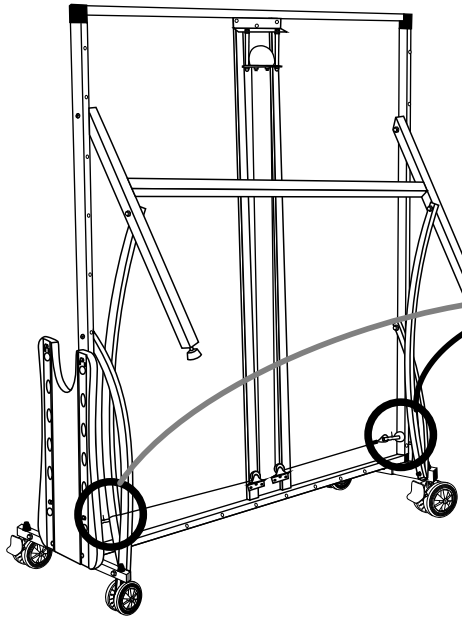
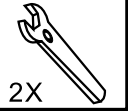


C2

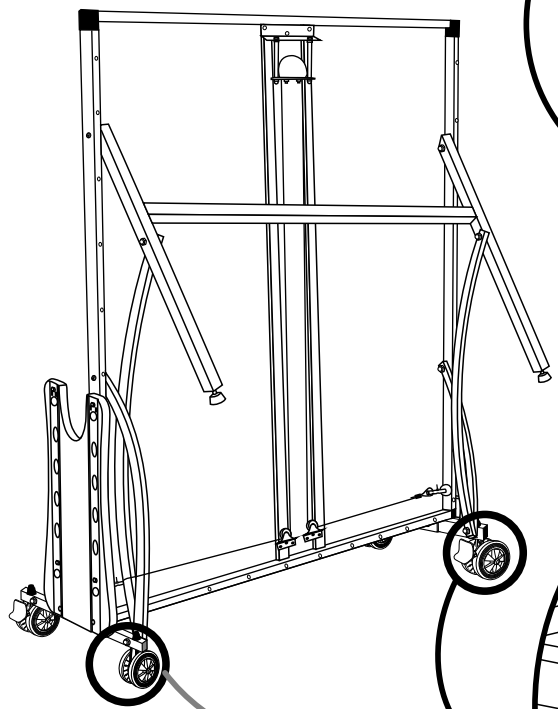
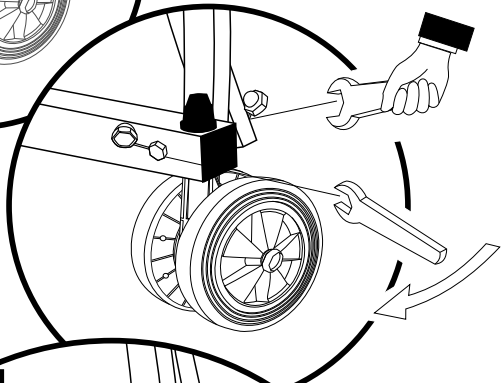
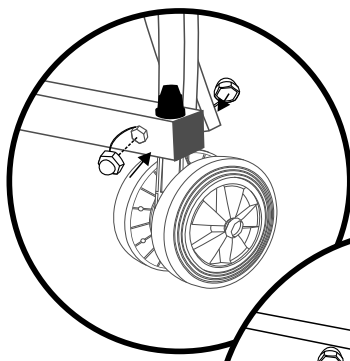
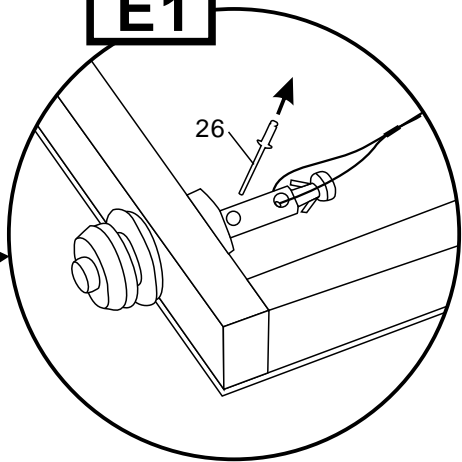




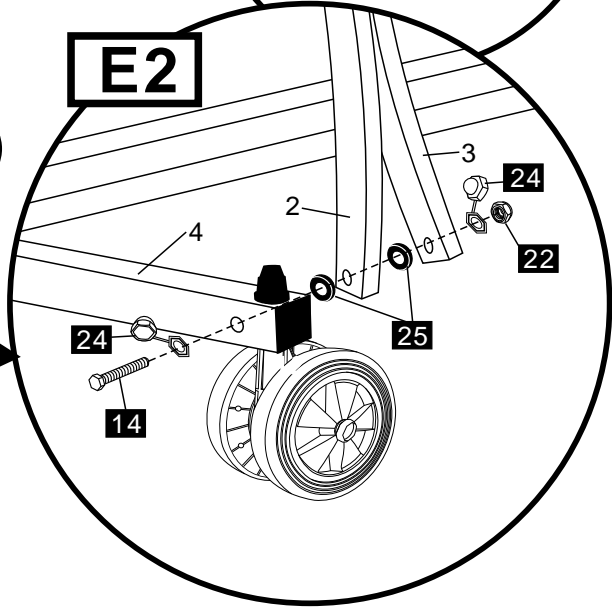
E

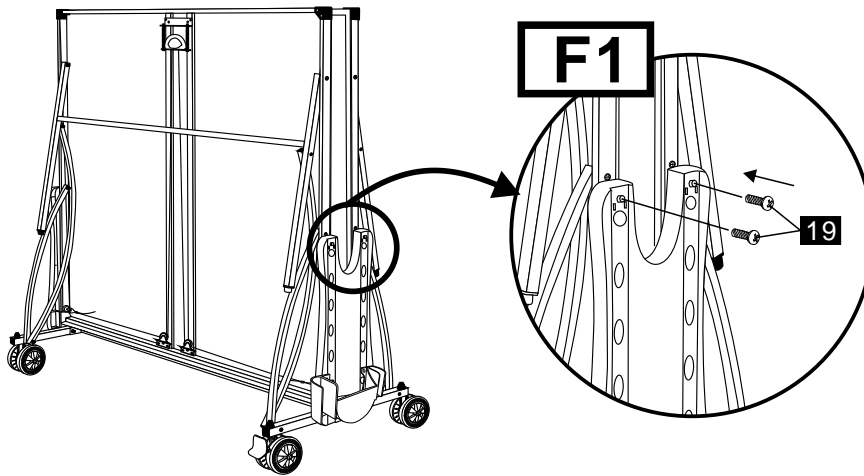


E1



E2



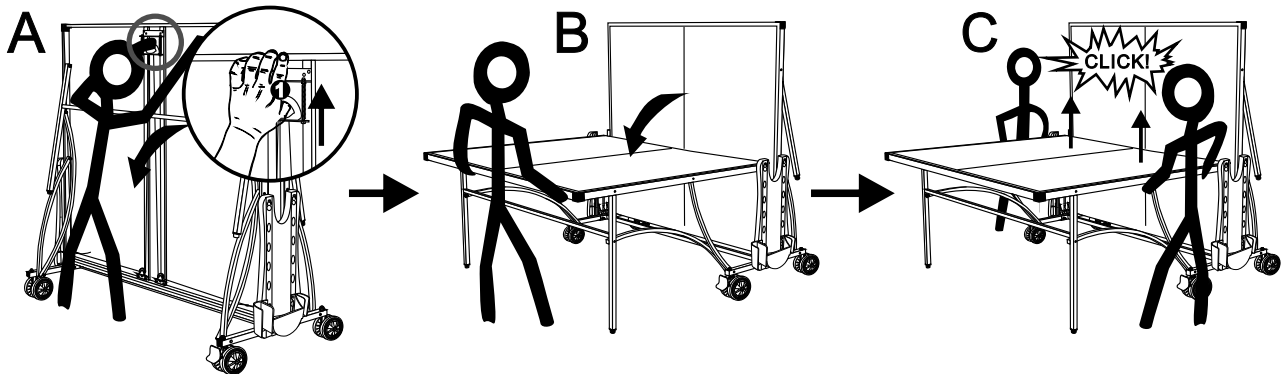


Open the table

A) Lift the handle to release. Hold the handle in position while the table top is being lowered.

B) Lower the table top to the game position. Do not allow it to fall as this might damage your table or cause injury.

C) Be certain the table is locked in place by lifting the table top from each side of the net.

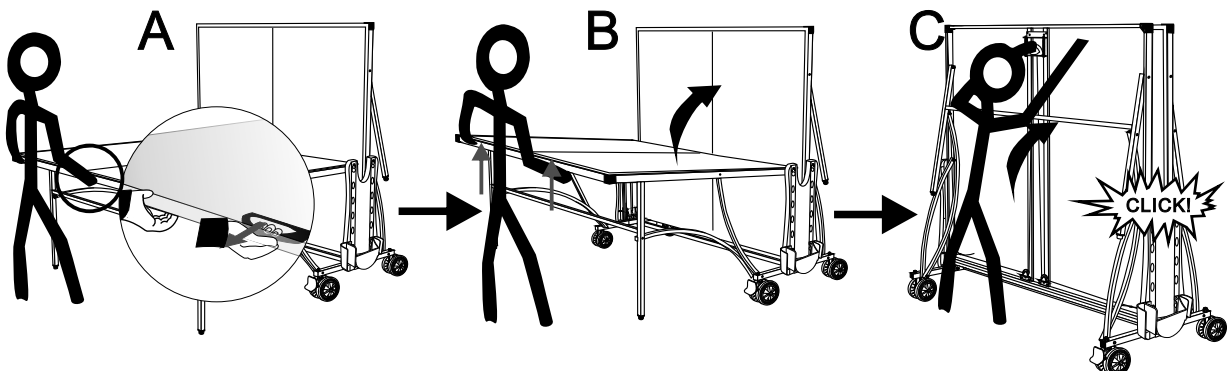


Close the table

A) Pull back the handle under the table top to release. Hold the handle in position while the table top is being lifted.

B) Lift the table top up to its storage position.

C) For your safety, check that the table top is properly locked.



Test marks for the assembly



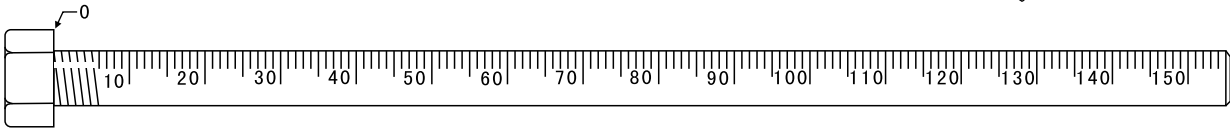
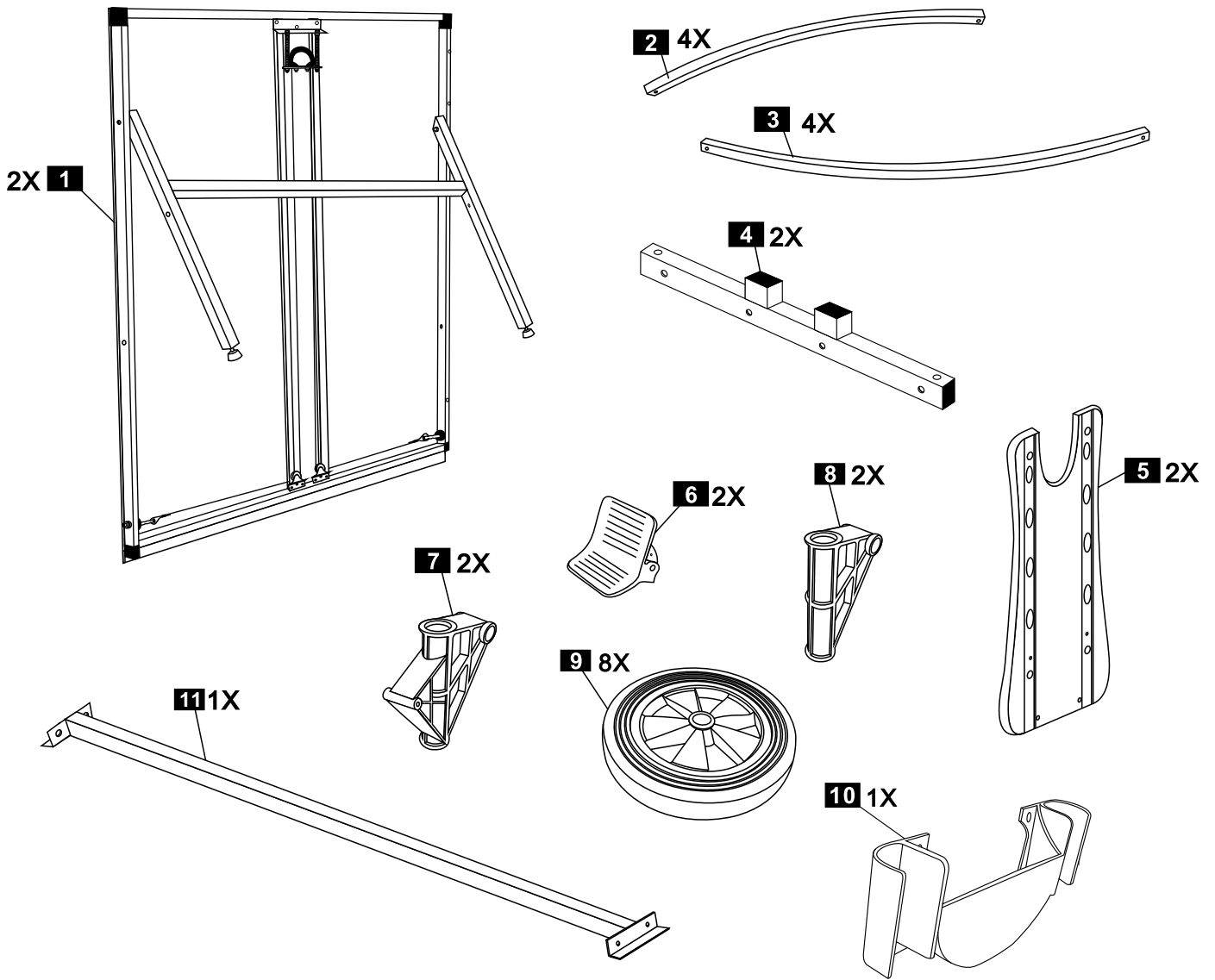
Please repeat these assembly steps with the second half top.



Go back to step “**c**” and assemble the second table top.



Please check all the working parts of the table in accordance with the Instructions for use (**page 10**) after you have completed assembly .If applicable please take care when removing the coating from the playing surface.



12 4X M12X130	13 4X M8X85	14 4X M6X90	15 4X M6X75	16 2X M6X75	17 4X M6X60
18 4X M6X50	19 4X M5X25	20 4X M12	21 4X M8	22 18X M6	23 4X R=12
24 24X R=6	25 16X	26 2X	27 2X M5X15	28 4X	